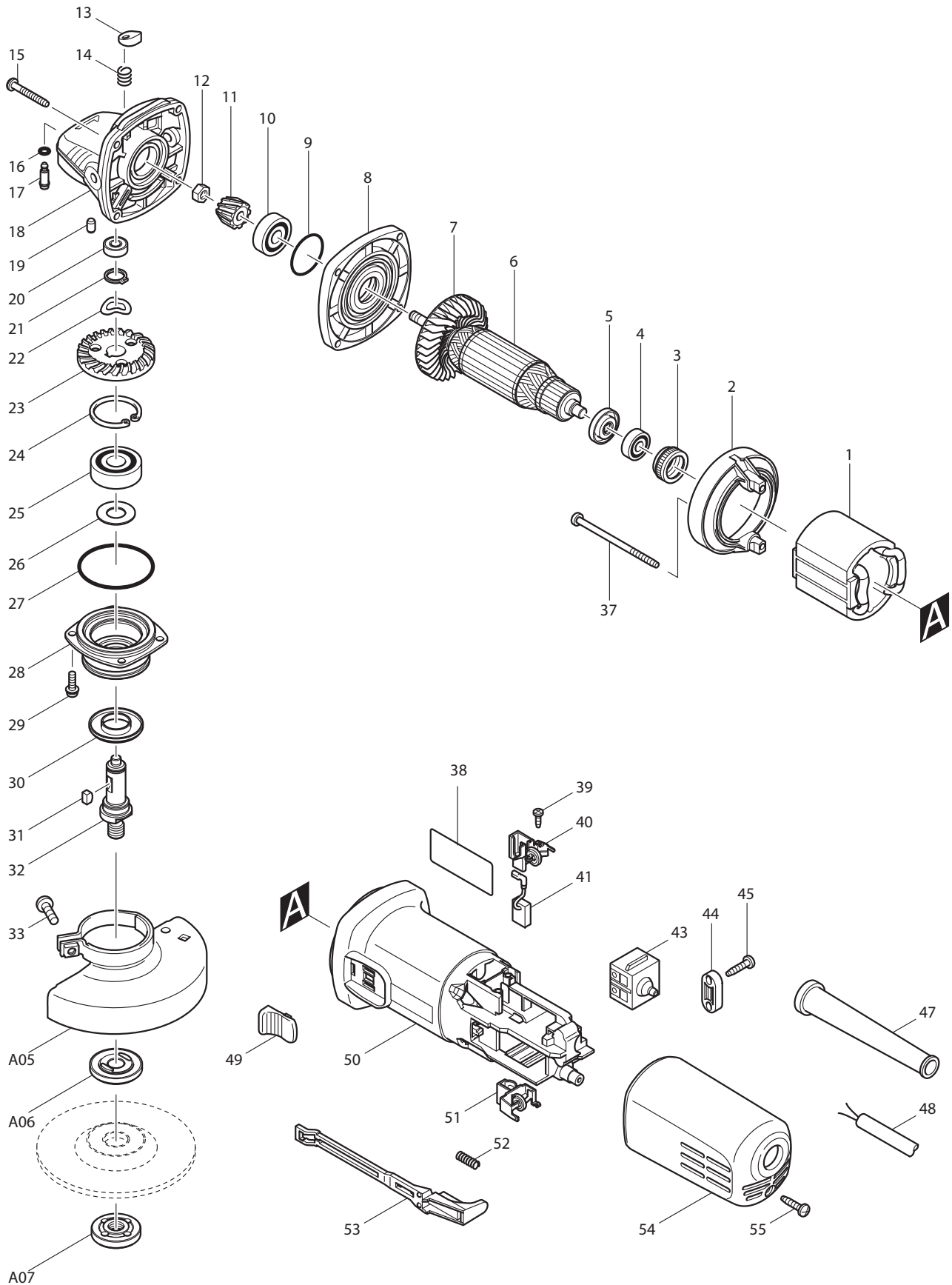




02 - 2009

9557NB

4-1/2" DISC GRINDER AS/DC



PARTS LIST

Item No	Type	Part No	Description	Qty	Unit
001		621706-3	FIELD 115V	1	PC.
002	2	457791-8	BAFFLE PLATE	1	PC.
003	2	422768-2	LABYRINTH RUBBER RING 19	1	PC.
004		210034-7	BALL BEARING 607LLB	1	PC.
005	2	681636-0	INSULATION WASHER	1	PC.
006		515611-3	ARMATURE ASS'Y 115V	1	PC.
006	INC.		Item No. 4,5,7		
007		240076-7	FAN 56	1	PC.
008		317821-6	GEAR HOUSING COVER	1	PC.
009		213445-5	O-RING 26	1	PC.
010	3	210042-8	BALL BEARING 629LLB	1	PC.
011	3	227464-5	* SPIRAL BEVEL GEAR 10 (SINTERING)	1	PC.
011	Opt.	227541-3	SPIRAL BEVEL GEAR 10 (MACHINED) - Optional, Use with 227542-1	1	PC.
012		252186-8	HEX. NUT M6	1	PC.
013		417771-6	PIN CAP	1	PC.
014		233376-2	COMPRESSION SPRING 8	1	PC.
015		266361-0	TAPPING SCREW 4X30	4	PC.
016		213960-9	O RING 5	1	PC.
017		256486-8	SHOULDER PIN 4	1	PC.
018	2	318051-2	GEAR HOUSING	1	PC.
019		263002-9	RUBBER PIN 4	1	PC.
020		210033-9	BALL BEARING 696ZZ	1	PC.
021		961052-5	RETAINING RING S-12	1	PC.
022		267794-2	WAVE WASHER 12	1	PC.
023	4	227505-7	* SPIRAL BEVEL GEAR 37 (MACHINED)	1	PC.
023	Opt.	227542-1	SPIRAL BEVEL GEAR 37 (MACHINED) - Optional, Use with 227541-3	1	PC.
024		962151-6	RETAINING RING R-32	1	PC.
025		211129-9	BALL BEARING 6201DDW	1	PC.
026		267238-2	FLAT WASHER 12	1	PC.
027		213622-9	O RING 45	1	PC.
028	1	317819-3	* BEARING BOX	1	PC.
028	2	318331-6	* BEARING BOX	1	PC.
029		265099-4	PAN HEAD SCREW M4X14	4	PC.
030		345464-4	LABYRINTH RING	1	PC.
031		254011-9	WOODRUFF KEY 4	1	PC.
032		324474-4	SPINDLE	1	PC.
033	1	265103-9	* PAN HEAD SCREW M5X14	1	PC.
033	2	251391-4	* PAN HEAD SCREW M5X16	1	PC.

Item No	Type	Part No	Description	Qty	Unit
033	3	265180-1	* PAN HEAD SCREW M5X16	1	PC.
037		266345-8	TAPPING SCREW 4X80	2	PC.
038		861255-0	NAME PLATE FOR 9557NB	1	PC.
039		266007-8	TAPPING SCREW BIND PT 3X10	4	PC.
040		643760-7	BRUSH HOLDER	1	PC.
041	2	195001-2	CARBON BRUSH CB-325 2PC/SET (W/ ORIGIN)	1	SET
041	3	194074-2	CARBON BRUSH CB-325 2PC/SET (W/ ORIGIN) New Package	1	SET
042		418729-8	SPACER	1	PC.
043	2	650579-7	SWITCH 1246.3223, SINGLE, BROWN	1	PC.
044	2	687123-7	STRAIN RELIEF (OLD# 687052-4)	1	PC.
045		266326-2	TAPPING SCREW 4X18	2	PC.
047		682559-5	CORD GUARD 8	1	PC.
048	2	664891-9	CORD W/PLUG 2P-18-2.5M,SJ	1	PC.
049	2	419566-3	* SWITCH KNOB	1	PC.
050	2	143990-5	* MOTOR HOUSING COMPLETE	1	PC.
050	3	451125-7	* MOTOR HOUSING	1	PC.
051		643760-7	BRUSH HOLDER	1	PC.
052		233121-5	COMPRESSION SPRING 4	1	PC.
053		418727-2	SWITCH LEVER	1	PC.
054	2	413A32-8	* REAR COVER	1	PC.
054	3	1411A5-5	* REAR COVER COMPLETE	1	PC.
054	3	INC. 8072X5-9	* CAUTION LABEL FR & SP	1	PC.
055		266326-2	TAPPING SCREW 4X18	1	PC.
A01		153489-2	GRIP 36 COMPLETE (Resin Grip)	1	PC.
A01	Opt.	194514-0	VIBRATION PROOF GRIP F/4" - 6", PKG	1	PC.
A02	2	782424-9	LOCK NUT WRENCH 28	1	PC.
A03	2	D-20781	4 1/2" DEPRESSED CENTER WHEEL A24R	1	PC.
A03	3	A-95956-25	4-1/2" D.C.G.W WA36N 25/PK	1	SET
A03	Opt.	A-80640	4 1/2" DEPRESSED CENTER WHEEL WA36N	1	PC.
A04		824736-5	PLASTIC CARRYING CASE	1	PC.
A04		INC. 182935-8	SLIDE LATCH (R.L) SET	1	PC.
A05	2	125890-1	* WHEEL COVER 115A ASS'Y FOR 4-1/2" D.C.W	1	PC.
A05	2	INC.	Item No. 33		
A05	3	123735-7	* WHEEL COVER 115AK ASS'Y FOR 4-1/2" D.C.W	1	PC.
A05	3	INC. 213009-5	* O RING 4	1	PC.
A05	3	INC.	* Item No. 33		
A05	3	INC. 803044-7	* CAUTION LABEL	1	PC.
A05	4	123735-7	* WHEEL COVER 115AK ASS'Y FOR 4-1/2" D.C.W	1	PC.
A05	4	INC.	* Item No. 33		

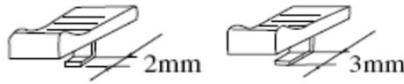
Item No	Type	Part No	Description	Qty	Unit
A06		224399-1	INNER FLANGE 45	1	PC.
A07		224568-4	LOCK NUT 5/8-45	1	PC.
A08		743036-3	RUBBER PAD F/4-1/2" GRINDER	1	PC.
A09		193048-0	SANDING LOCK NUT 5/8 - 48 PACKAGED	1	PC.
A10	1	122642-1	* CUT-OFF WHEEL GUARD F/4-1/2"	1	PC.
A10	2	122910-2	* CUT-OFF WHEEL GUARD F/4-1/2"	1	PC.
C01		846895-5	CARTON F/9557NB	1	PC.

SERVICE CHANGES: 9557NB

1. Changes on Switch Knob

(T/I#75519)

Item No.	Description	Type 1	Type 2
49	SWITCH KNOB	418769-6	419566-3



2. Changes on Spiral Bavel Gear

(T/I#76502)

(T/I#C6204)

(T/I#Y09469)

Item No.	Description	Type 1	Type 2	Type 3	Type 4
23	SPIRAL BEVEL GEAR 37	227465-3	227505-7	227542-1	227505-7
11	SPIRAL BEVEL GEAR 11	227464-5		227541-3	227464-5

Above parts are completely interchangeable as a set.

3. Changes on Wheel Cover Assembly and Bearing Box

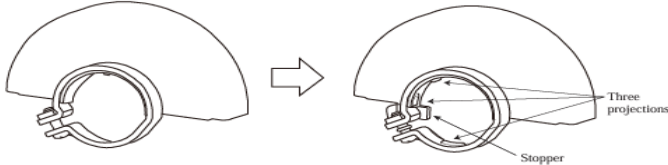
(TI#A4621)

(TI#B2119)

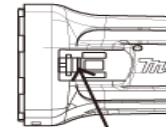
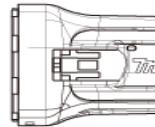
Item No.	Description	Type 1	Type 2	Type 3
28	BEARING BOX	317819-3		318331-6
33	PAN HEAD SCREW M5X14	265103-9	-----	-----
	PAN HEAD SCREW M5X16	-----	251391-4	265180-1
A05	WHEEL COVER 115AK ASSY	125273-5	125890-1	123735-7
A05 Inc.	O RING 4	-----		213009-5
A10 Opt.	CUT-OFF WHEEL GUARD	125273-5		122910-2

Above parts are completely interchangeable as a set.

(2), (6), (11): Wheel cover ass'y



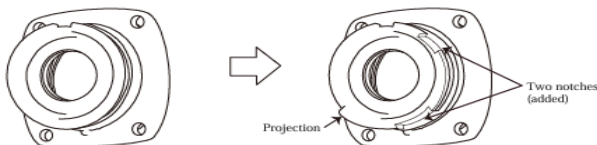
B2119



Two actions are required to switch on.

Depression is added.

(1), (5), (10): Bearing box



4. Elimination of O Ring 4

(T/I#DS662)

5. Changes on Motor housing complete and Rear cover

(T/I#DT853)

Item No.	Description	Type 1	Type 2	Type 3	Type 4
A05	WHEEL COVER 115AK ASSY	125273-5	125890-1	123735-7	123098-1
A05 Inc.	O RING 4	-----		213009-5	-----
54	REAR COVER COM	413A32-8			-----
	REAR COVER COMPLETE	418726-4		413A32-8	1411A5-5
50	MOTOR HOUSING COMPLETE	418725-6		143990-5	451125-7

Type 3 and Type 4: Above parts are completely interchangeable as a set.